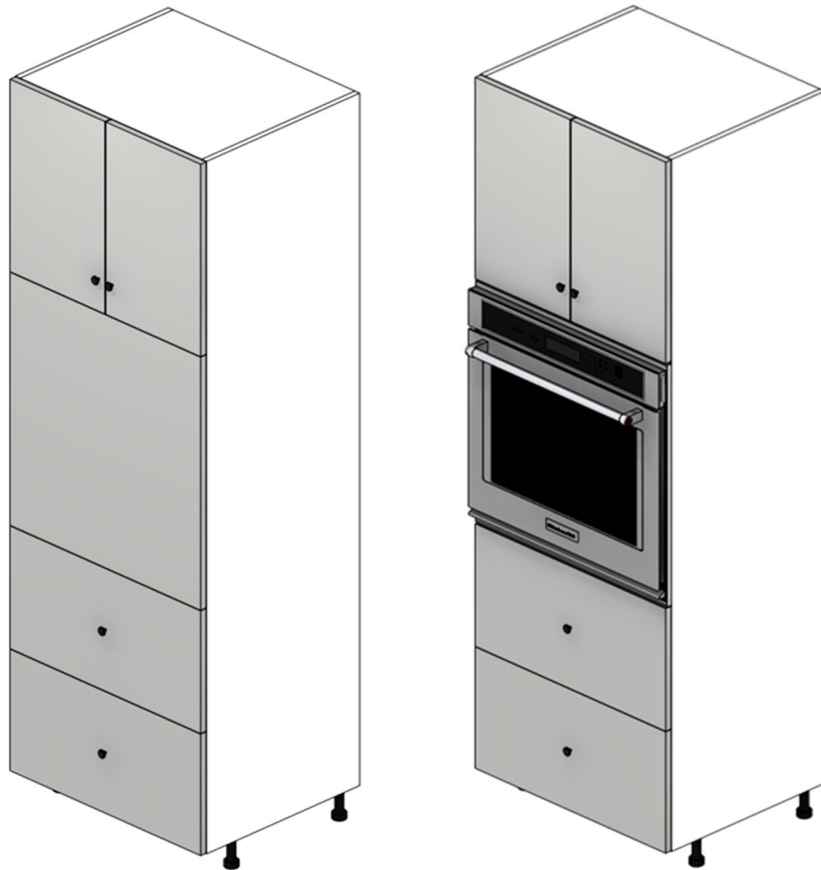


# TALL SINGLE OVEN BDB2

EUROPEAN  
**Frameless**  
Cabinet Box Construction

 **Cabinets.com**<sup>®</sup>



## Working With A Built-In Appliance Cabinet

All Cabinets.com European Frameless appliance cabinets are manufactured with a front panel that is intended to be modified on-site to fit specific appliances. This allows flexibility to fit a variety of appliance makes/models and gives the ability to get a custom fit. It is important to understand what appliance types work best and where additional on-site accommodations may be needed for specific appliances. Be sure to consult the appliance manufacturer's installation instructions for specifications on minimum and maximum cutout size requirements.

## Tall Single Oven Cabinet (31.5-BDB2)

This cabinet has a 31-1/2" high center panel and is intended for a single full-size built-in oven. Refer to the cutout chart to determine the maximum cutout sizes allowable. It is recommended that a Tall Microwave Cabinet be used for wall-mount microwaves, as the center panel is smaller and will have less wasted space; consult with your Cabinets.com Designer for more information.

# TALL SINGLE OVEN BDB2



## Maximum Cut-Out Dimensions

Additional material for oven support is not supplied with this cabinet.

	Oven Panel Max Cut-Out		Doors Height
	A	B	C
<b>84" Tall Cabinet</b>			
TA2484-PNL-31.5-BDB2-P	20"	29-1/2"	17-3/4"
TA2784-PNL-31.5-BDB2	23"	29-1/2"	17-3/4"
TA3084-PNL-31.5-BDB2	26"	29-1/2"	17-3/4"
TA3384-PNL-31.5-BDB2	29"	29-1/2"	17-3/4"
TA3684-PNL-31.5-BDB2	32"	29-1/2"	17-3/4"
<b>90" Tall Cabinet</b>			
TA2490-PNL-31.5-BDB2-P	20"	29-1/2"	23-3/4"
TA2790-PNL-31.5-BDB2	23"	29-1/2"	23-3/4"
TA3090-PNL-31.5-BDB2	26"	29-1/2"	23-3/4"
TA3390-PNL-31.5-BDB2	29"	29-1/2"	23-3/4"
TA3690-PNL-31.5-BDB2	32"	29-1/2"	23-3/4"
<b>96" Tall Cabinet</b>			
TA2496-PNL-31.5-BDB2-P	20"	29-1/2"	29-3/4"
TA2796-PNL-31.5-BDB2	23"	29-1/2"	29-3/4"
TA3096-PNL-31.5-BDB2	26"	29-1/2"	29-3/4"
TA3396-PNL-31.5-BDB2	29"	29-1/2"	29-3/4"
TA3696-PNL-31.5-BDB2	32"	29-1/2"	29-3/4"

