

# Cabinets.com<sup>®</sup>

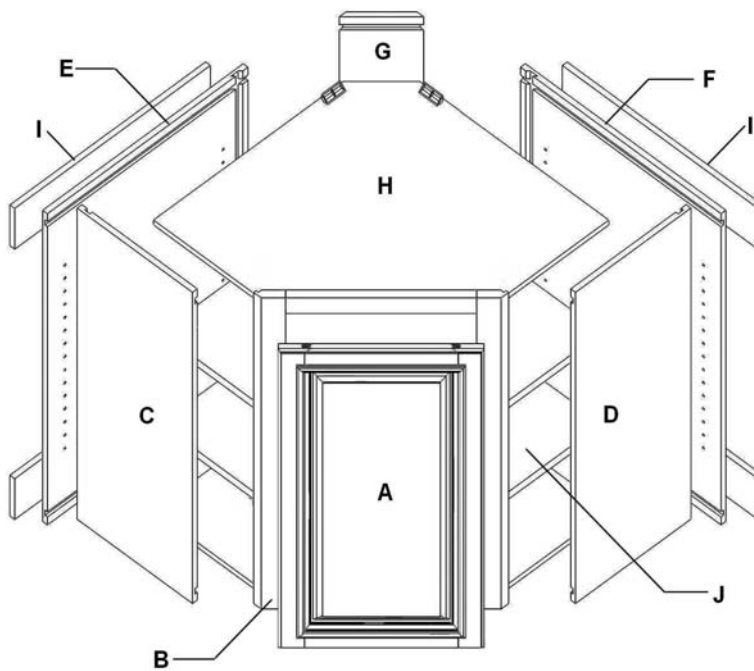
## Diagonal Wall Cabinet Assembly Instructions

---

Copyright © 2016 Kitchen Resource Direct, LLC.  
All rights reserved.

- Carefully read the instructions before starting the installation.
- During assembly, please follow all applicable safety procedures involving tools and physical lifting.
- Check that installation of cabinetry meets all applicable local, state, and federal codes.

# Overall Cabinet Diagram and Key

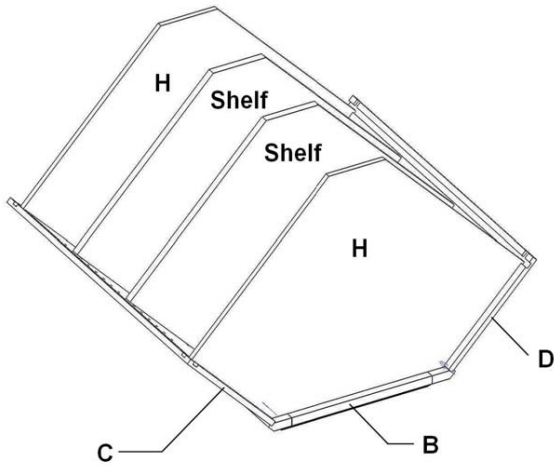


## KEY

- A-Door Frame
- B-Front Frame
- C-Front Side Panel (Left)
- D-Front Side Panel (Right)
- E-Back Side Panel (Left)
- F-Back Side Panel (Right)
- G-Back Panel
- H-Top & Bottom
- Panel I-Back Support
- J-Adjustable Shelves

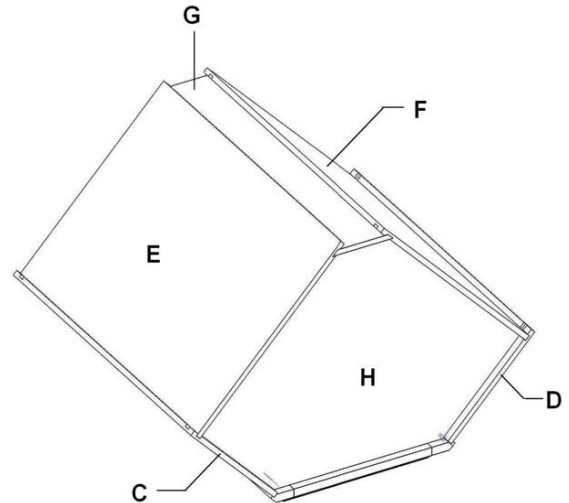
# Diagonal Wall Cabinet Assembly Instructions

DIAGRAM 1



1. Remove door (A), lay the cabinet front frame (B) face down on a clean, soft surface
2. Apply a thin line of glue into the dadoed sections of the front frame (B) where the two front side panels (C & D) will be installed, as well as where the top/bottom panels (H) will be installed.
3. Place the side panels (C & D) and the top/bottom panels (H) firmly into the dadoes on the front frame (B). Fasten with pin nails.
4. Locate the shelf holders from the hardware package and plug them into the front side panels (C & D). Ensure the shelf holders are installed at the same height on both sides so that the shelves (J) will sit level inside the cabinet.

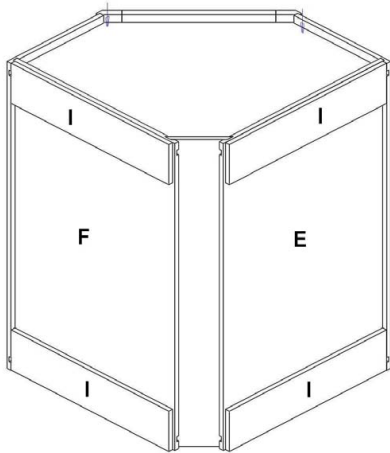
DIAGRAM 2



1. Apply a thin line of glue into the dadoes of the front side panels (C & D) where the back side panels (E & F) will be attached.
2. Refer to the diagram to place the back side panels (E & F) into the front side panels (C & D). Fasten with two corner blocks and staples on each side and on top and bottom panels (H).
3. Apply a thin line of glue into the dadoes of the back side panels (E & F) where the back panel (G) will be attached. Fasten the back panel (G) to the back side panels (E & F) with pin nails.
4. Install the back panel (G) by carefully spreading the back side panels (E & F) slightly so that the back panel fits securely into the dadoes. Fasten with pin nails so that all components are secure within the appropriate dadoes.

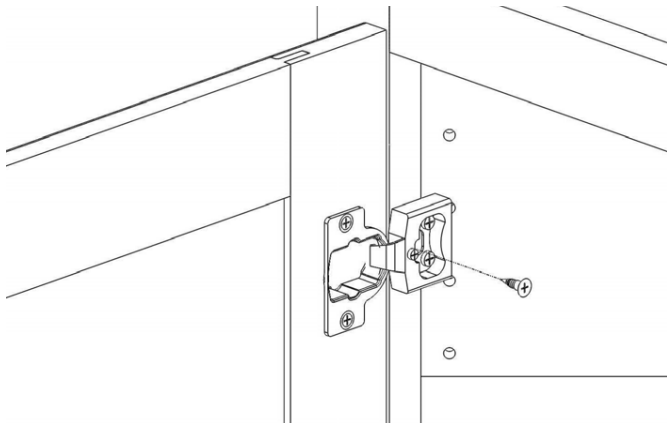
# Diagonal Wall Cabinet Assembly Instructions

DIAGRAM 3



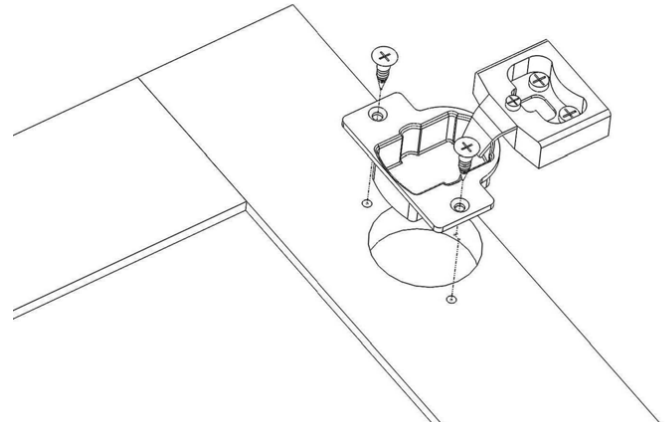
1. Apply a few small beads of glue onto the four back supports (I). Place the back supports on the top and bottom of the back side panels (E & F) as pictured and fasten with staples.

DIAGRAM 5



1. Line up the door (A) with the front frame (B).
2. Screw the hinges into the front frame of the cabinet using 3/4" (19mm) screws.

DIAGRAM 4



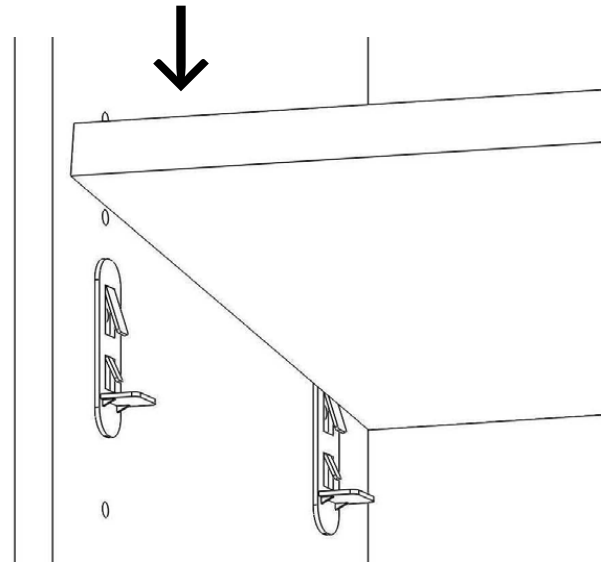
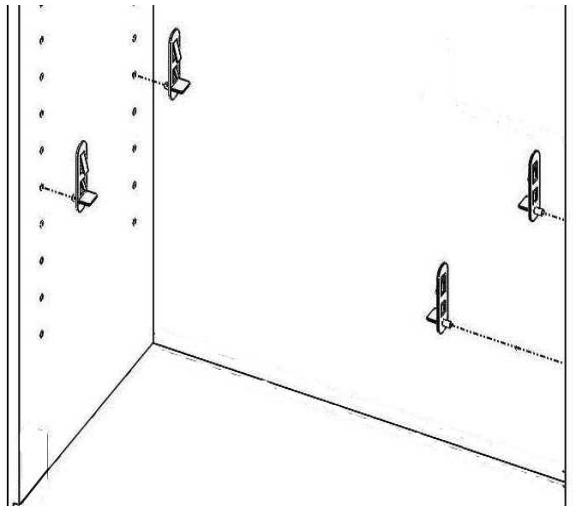
1. Locate the hinges from the packing box.
2. Lay the door (A) face down on a clean, soft surface. Place the hinges into the holes on the back of the door as shown in the diagram. Tighten the hinges into place with 5/8" (16mm) screws.
3. Press adhesive bumpers on the top and bottom corners of the inside of the door, on the opposite edge that the hinges are located.

**Note:** Once the glue dries, it will hold the cabinet together. The yellow clips supplied are for holding the cabinet together until the glue dries.

Cabinets that are 42" or taller will have three-piece hinges.

The doors have a 1" (25mm) reveal from the top to the edge of the face frame and a 1/4" (6mm) reveal from the bottom to the edge of the face frame.

# Diagonal Wall Shelf Assembly Instructions



1. Find the plastic shelf supports located in the hardware package.
2. Plug the shelf supports into the side panels (left and right panels), ensuring all are installed at the same heights so that the shelf will be level when placed in.

## Shelf Details for Wall Cabinets:

- Wall cabinets with heights of 12", 15", 18", and 21" have no shelves.
- Wall cabinets with heights of 24" and 27" have 1 shelf.
- Wall cabinets with heights of 30-36" have 2 shelves.
- Wall cabinets 42" high have 3 shelves.
- Wall cabinets that are 12" deep have a shelf that is 10" (254mm) deep.

## Shelf Details for Base Cabinets:

- All base cabinets have a half shelf that is 15-3/4" (400mm) deep.
- Vanity cabinets that are 18-21" deep have a half shelf that is 11-3/4" (198.5mm) deep.
- BFH (base full height) cabinets have a 22" (558mm) deep shelf.

## Shelf Details for Utility Cabinets (UC):

- UCs have four shelves: 1 in the top and 3 in the bottom.
- The shelves in all UCs are adjustable full shelves.