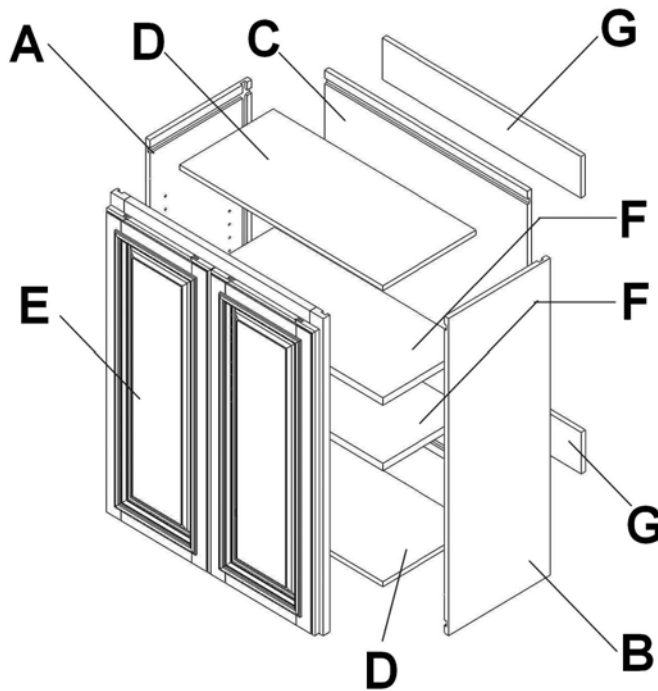


Wall Cabinet Assembly Instructions

Copyright © 2016 Kitchen Resource Direct, LLC.
All rights reserved.

- Carefully read the instructions before starting the installation.
- During assembly, please follow all applicable safety procedures involving tools and physical lifting.
- Check that installation of cabinetry meets all applicable local, state, and federal codes.

Overall Cabinet Diagram and Key

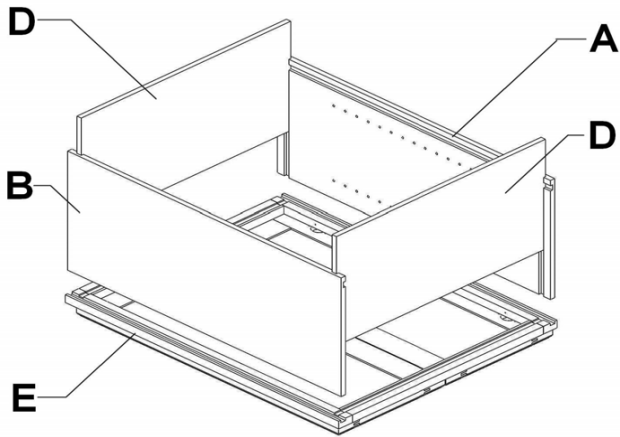


KEY

- A-Side Panel (Left)
- B-Side Panel (Right)
- C-Back Panel
- D-Panel (Top & Bottom)
- E-Frame & Door(s)
- F-Shelf
- G-Back Support

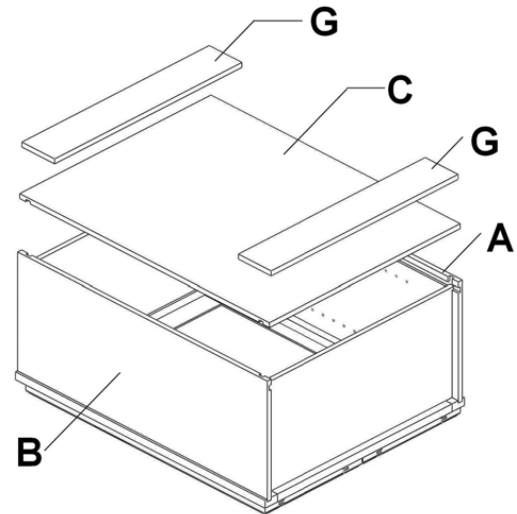
Wall Cabinet Assembly Instructions

DIAGRAM 1



1. Remove doors (E). Lay the cabinet face frame (J) down on a clean, soft surface face down.
2. Apply a thin line of glue into the dadoed sections of the face frame (J) where the two side panels (A & B) will be installed.
3. Place the side panels (A & B) firmly into the dadoes of the face frame (J).
4. Place corner blocks on the common corners connecting the side panels (A & B) with the back interior of the face frame (J). Locate the corner blocks just above the intersecting dadoes for the top and bottom panels (D). see DIAGRAM 3. Place two staples into the corner blocks (attaching it to the face frame) and then two staples to the side panels.
5. Apply a thin line of glue to the dadoes in the face frame (J) where the top and bottom panels (D) will be attached, as well as to the corresponding dadoes in the side panels (A & B). Slide the top and bottom panels (D) appropriately into the dadoes. Fasten the top and bottom panels (D) to one side only of the side panels (A & B).

DIAGRAM 2



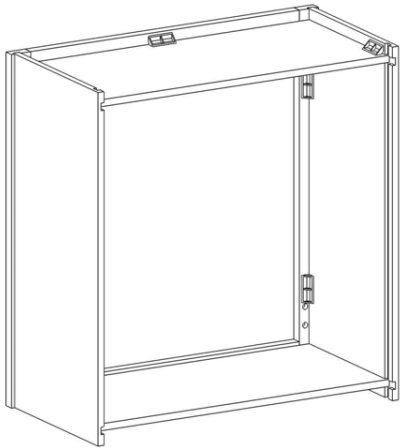
1. Apply a thin line of glue into the dadoes of the side panels (A & B) where the back panel (C) will be attached. Also, apply a thin line of glue to the dadoes of the back panel (C) where the top and bottom panels (D) will fit in.
2. Install the back panel (C) by slightly spreading the side panels (A & B) so that all components fit securely into the appropriate dadoes. Fasten the back panel (C) to the side panels (A & B) using the corner blocks and staples. Also fasten the remaining side panel to the top and bottom panels (D) using corner blocks and staples.
3. Apply a few small beads of glue onto the 2 back supports (G). Place the back supports on the top and bottom of the back panel (C), as illustrated, and fasten with pin nails or staples.

Note: Once the glue dries, it will hold the cabinet together. The corner blocks supplied are for holding the cabinet together until the glue dries.

Once the cabinet is fastened to the wall, the back supports (G) act as shims between the cabinet's back panel and the wall.

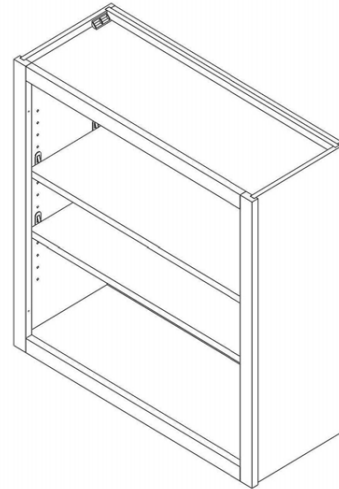
Base Cabinet Assembly Instructions

DIAGRAM 3



1. Place corner blocks in the locations as illustrated and fasten with staples.

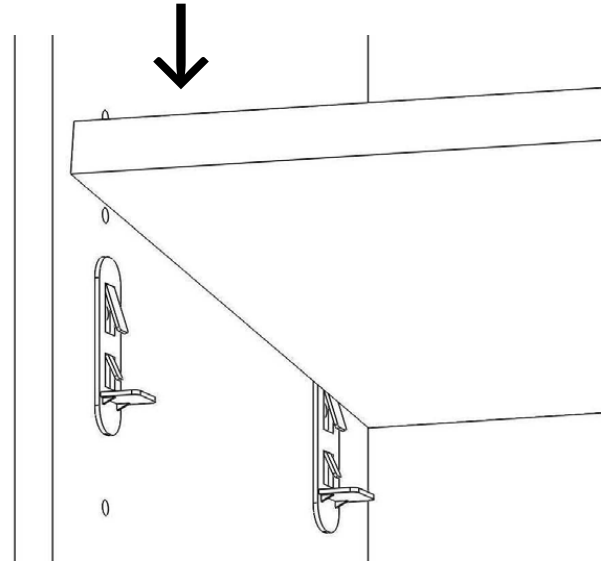
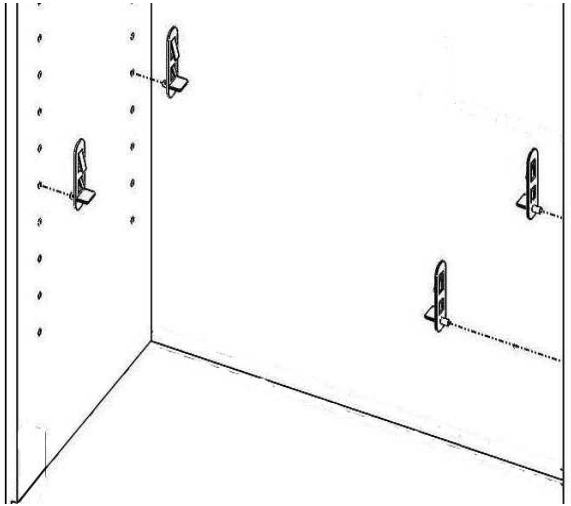
DIAGRAM 4



1. Locate the shelf supports and plug them into the side panels (A & B) so that they are at the same height (aligned) on each side.
2. Install the shelves by placing one end first into a side panel while holding the other end slightly higher. Then, slowly lower the opposite end to bypass the locking clips on the support until the shelf locks into place.
3. Ensure the shelves sit at an even height inside the cabinet.

Note: Cabinets that are 36" (914mm) wide or more will have an additional corner block at the center of the bottom frame.

Base Shelf Assembly Instructions



1. Find the plastic shelf supports located in the hardware package.
2. Plug the shelf supports into the side panels (left and right panels), ensuring all are installed at the same heights so that the shelf will be level when placed in.

Shelf Details for Wall Cabinets:

- Wall cabinets with heights of 12", 15", 18", and 21" have no shelves.
- Wall cabinets with heights of 24" and 27" have 1 shelf.
- Wall cabinets with heights of 30-36" have 2 shelves.
- Wall cabinets 42" high have 3 shelves.
- Wall cabinets that are 12" deep have a shelf that is 10" (254mm) deep.

Shelf Details for Base Cabinets:

- All base cabinets have a half shelf that is 15-3/4" (400mm) deep.
- Vanity cabinets that are 18-21" deep have a half shelf that is 11-3/4" (198.5mm) deep.
- BFH (base full height) cabinets have a 22" (558mm) deep shelf.

Shelf Details for Utility Cabinets (UC):

- UCs have four shelves: 1 in the top and 3 in the bottom.
- The shelves in all UCs are adjustable full shelves.