

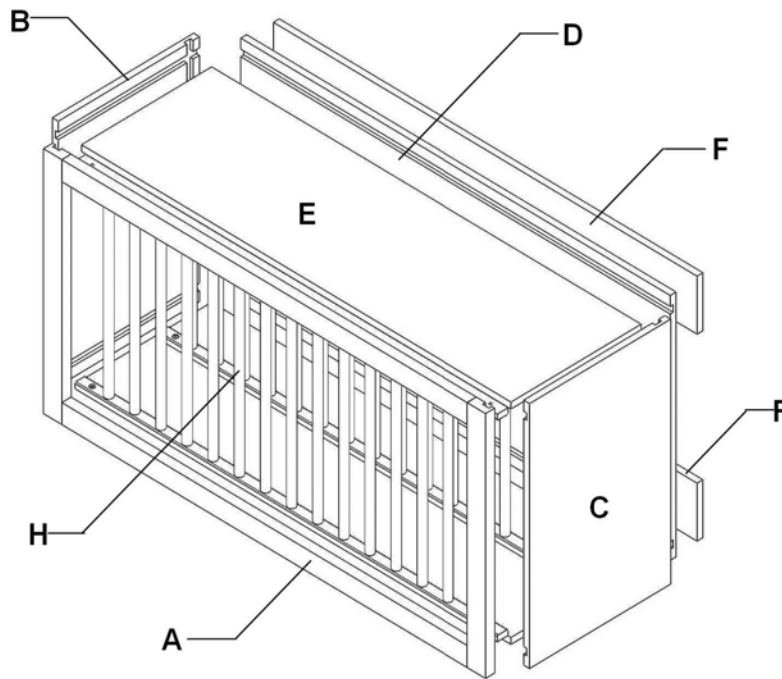
Cabinets.com[®]

Plate Rack Cabinet Assembly Instructions

Copyright © 2016 Kitchen Resource Direct, LLC.
All rights reserved.

- Carefully read the instructions before starting the installation.
- During assembly, please follow all applicable safety procedures involving tools and physical lifting.
- Check that installation of cabinetry meets all applicable local, state, and federal codes.

Overall Cabinet Diagram and Key

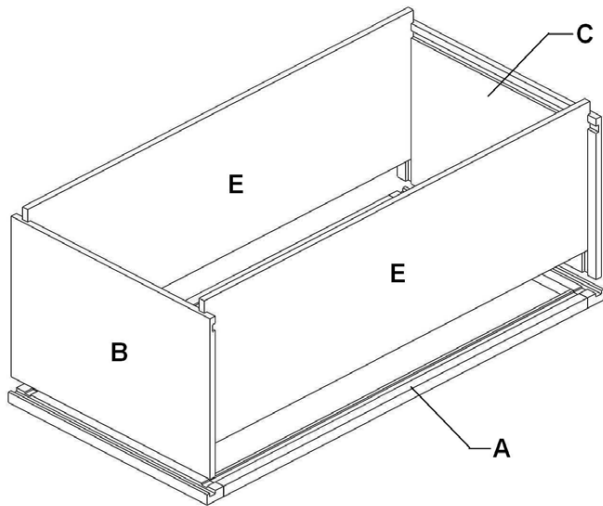


KEY

- A-Front Frame
- B-Side Panel (Left)
- C-Side Panel (Right)
- D-Back Panel
- E-Top & Bottom Panel
- F-Back Support
- H- Plate Racks

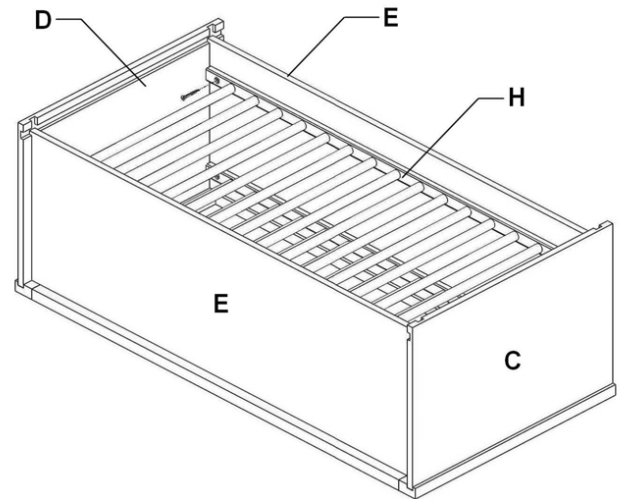
WPR Cabinet Assembly Instructions

DIAGRAM 1



1. Lay the cabinet front frame (A) down on a clean, soft surface.
2. Apply a thin line of glue into the dadoed sections of the front frame (A) where the two side panels (B & C) will be installed.
3. Place the side panels (B & C) firmly into the dadoes of the front frame (A).
4. Place corner blocks on the common corners connecting the side panels (B & C) with the back interior of the front frame (A). Locate the corner blocks just above the intersecting dadoes for the top and bottom panels (E). Place two staples into the corner blocks (attaching it to the front frame (A)) and then two staples to the side panels (B & C).
5. Apply a thin line of glue to the dadoes in the front frame (A) where the top and bottom panels (E) will be attached, as well as to the corresponding dadoes in the side panels (B & C). Slide the top and bottom panels (E) appropriately into the dadoes. Fasten the top and bottom panels (E) to the front frame (A) using corner blocks and staples. Position the corner blocks as illustrated in Diagram 4.

DIAGRAM 2



1. Place the first plate rack (H) through the back of the cabinet carcass and ensure it is tight against the front frame (A). Fasten the plate rack (H) into place with screws into the top and bottom panels (E).
2. Place the second plate rack (H) through the back of the cabinet carcass so that it is tight with the side panels (B & C) and in the rear of the box. Tighten the second plate rack (H) into place with screws into the top and bottom panels (E).

WPR Cabinet Assembly Instructions

DIAGRAM 3

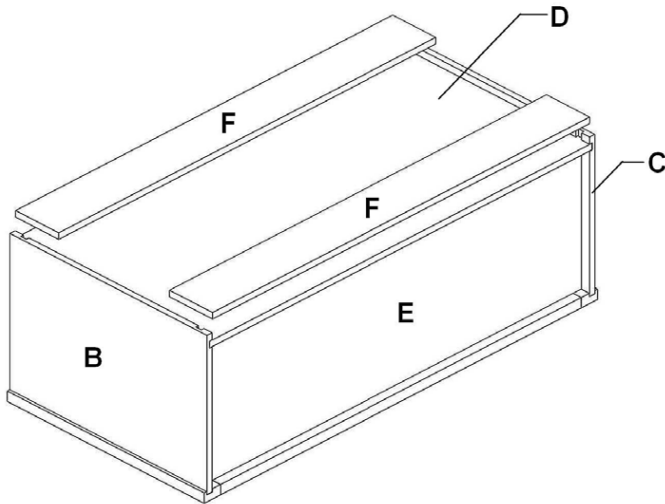
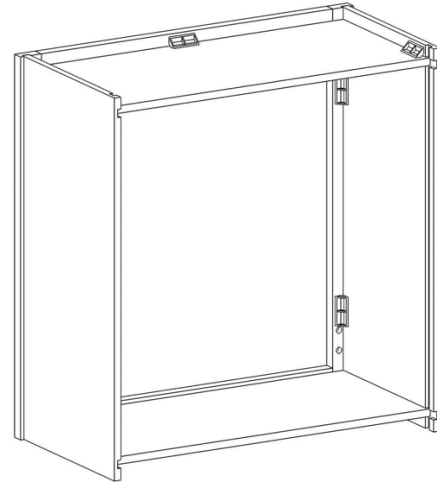


DIAGRAM 4



1. Apply a thin line of glue into the dadoes of the side panels (B & C) where the back panel (D) will be attached. Also, apply a thin line of glue to the dadoes of the back panel (D) where the top and bottom panels (E) will fit into. Fasten using corner blocks and staples.
2. Install the back panel (D) by slightly spreading the side panels (B & C) so that all components fit securely into the appropriate dadoes. When properly fitted, fasten using corner blocks and staples. Refer to Diagram 4 for corner block positioning.
3. Apply a few small beads of glue onto the 2 back supports (F). Place the back supports on the top and bottom of the back panel (D), as illustrated, and fasten with pin nails or staples.

Note: Once the glue dries, it will hold the cabinet together. The corner blocks supplied are for holding the cabinet together until the glue dries.