

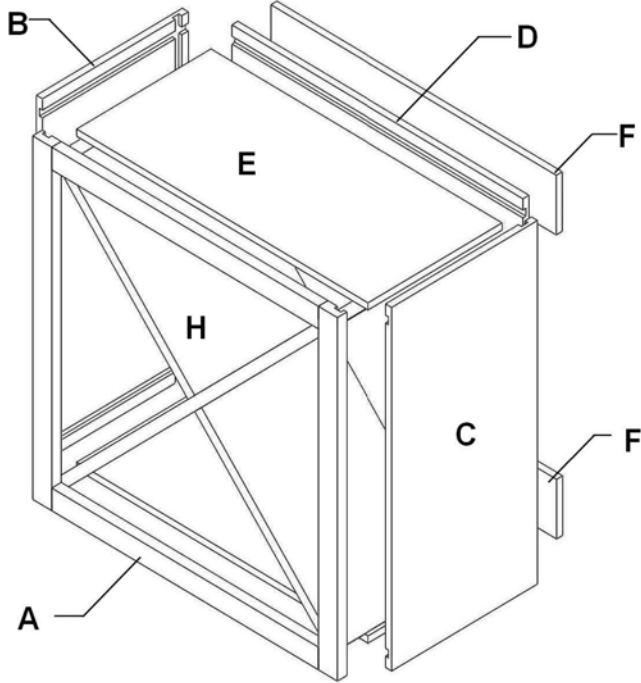
## Wine Rack Cabinet Assembly Instructions

---

Copyright © 2016 Kitchen Resource Direct, LLC.  
All rights reserved.

- Carefully read the instructions before starting the installation.
- During assembly, please follow all applicable safety procedures involving tools and physical lifting.
- Check that installation of cabinetry meets all applicable local, state, and federal codes.

# Overall Cabinet Diagram and Key



- KEY**
- A-Front Frame
  - B-Side Panel (Left)
  - C-Side Panel (Right)
  - D-Back Panel
  - E-Top & Bottom Panel
  - F-Back Support
  - H-X Shelf

# WCX Cabinet Assembly Instructions

DIAGRAM 1

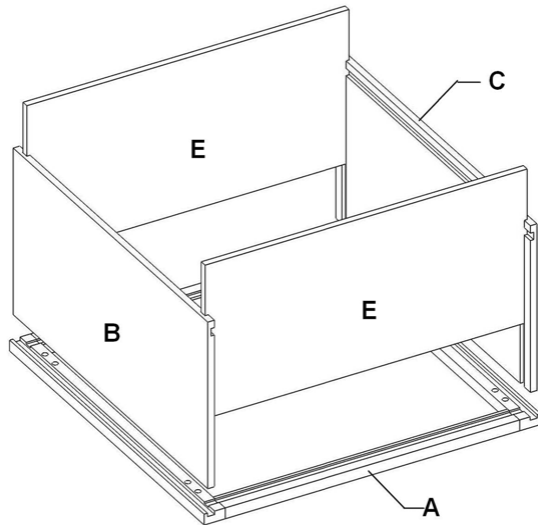
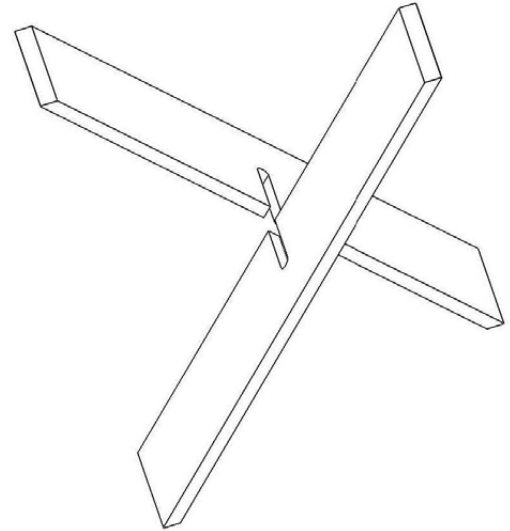


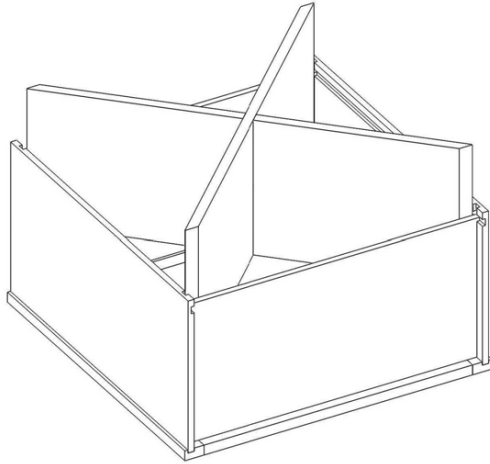
DIAGRAM 2



1. Lay the cabinet front frame (A) down on a clean, soft surface.
  2. Apply a thin line of glue into the dadoed sections of the front frame (A) where the two side panels (B & C) will be installed.
  3. Place the side panels (B & C) firmly into the dados of the front frame (A).
  4. Place corner blocks in the common corners connecting the side panels (B & C) with the back interior of the front frame (A). Locate the corner blocks just above the intersecting dados for the top and bottom panels (E). Place two staples into each side of the corner blocks (attaching it to the front frame) and then two staples to the side panels.
  5. Apply a thin line of glue to the dados in the front frame (A) where the top and bottom panels (E) will be attached, as well as to the corresponding dados in the side panels (B & C). Slide the top and bottom panels (E) appropriately into the dados. Using the corner blocks and staples, fasten one side only of the top and bottom panels (E) to a side panel.
1. Assemble the "X" shelf (H), as illustrated.

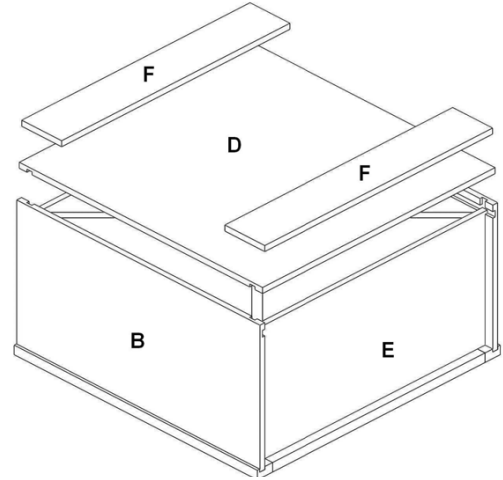
# Base Cabinet Assembly Instructions

DIAGRAM 3



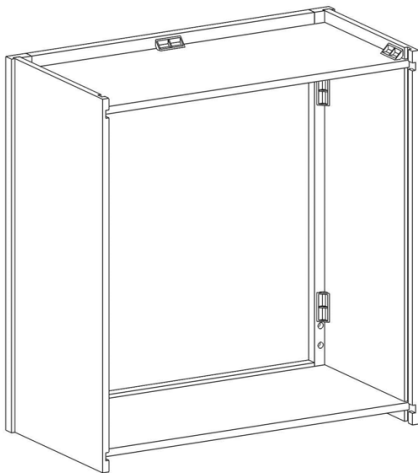
1. Slide the "X" shelf (H) into the cabinet box, as illustrated.

DIAGRAM 4



1. Apply a thin line of glue into the dadoes of the side panels (B & C) where the back panel (D) will be attached. Also, apply a thin line of glue to the dadoes of the back panel (D) where the top and bottom panels (E) will fit into.
2. Install the back panel (D) by slightly spreading the side panels (B & C) so that all components fit securely into the appropriate dadoes. Fasten the remaining unattached side panel, and both top and bottom panels (E) to the back panel (D) using corner blocks and staples.
3. Apply a few small beads of glue onto the 2 back supports (F). Place the back supports on the top and bottom of the back panel (D), as illustrated, and fasten with pin nails or staples.

DIAGRAM 5



1. Place corner blocks in the locations as illustrated and fasten with staples.

**Note:** Once the glue dries, it will hold the cabinet together. The corner blocks supplied are for holding the cabinet together until the glue dries.