

Cabinets.com[®]

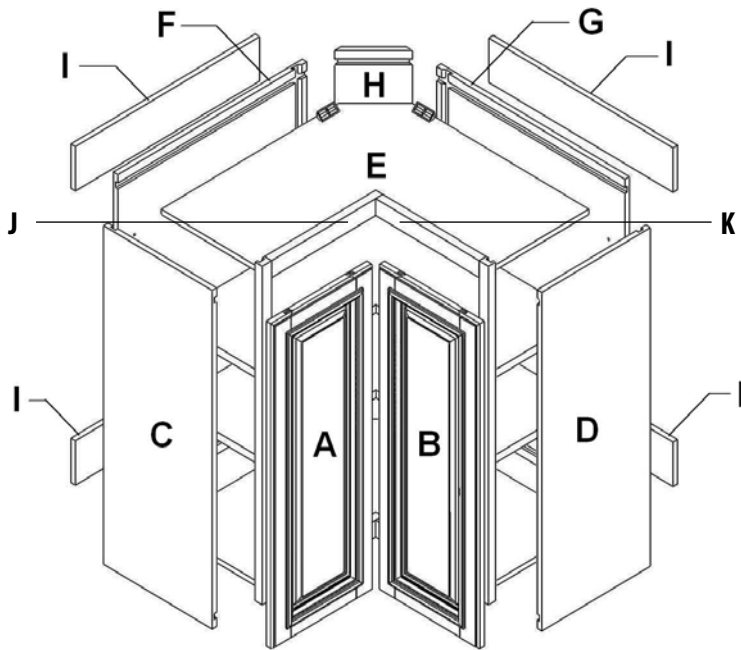
Square Corner Wall Cabinet Assembly Instructions

Copyright © 2016 Kitchen Resource Direct, LLC.
All rights reserved.

Note: Before you begin, decide which side you would like the cabinet door to open from – the left side or the right side. The instructions detailed here are to be used if you prefer the door to open from the left side. If you prefer the door to open from the right side, simply switch the directions below for items C & D and also for items F & G.

- Carefully read the instructions before starting the installation.
- During assembly, please follow all applicable safety procedures involving tools and physical lifting.
- Check that installation of cabinetry meets all applicable local, state, and federal codes.

Overall Cabinet Diagram and Key

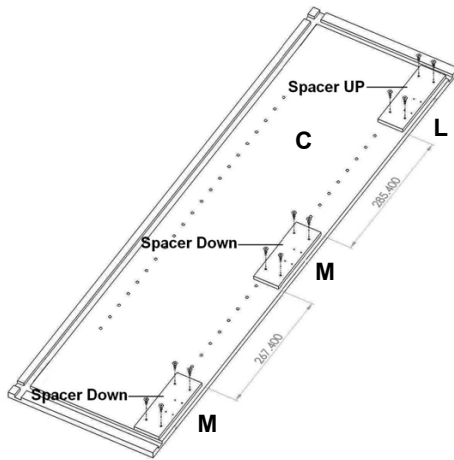


KEY

- A-Door A
- B-Door B
- C-Front Side Panel (Left)
- D-Front Side Panel (Right)
- E-Top & Bottom Panel
- F-Back Side Panel (Left)
- G-Back Side Panel (Right)
- H-Back Panel
- I-Back Support
- J-Front Frame
- K-Front Frame
- L-Spacer UP (Next Page)
- M-Spacer DOWN (Next Page)

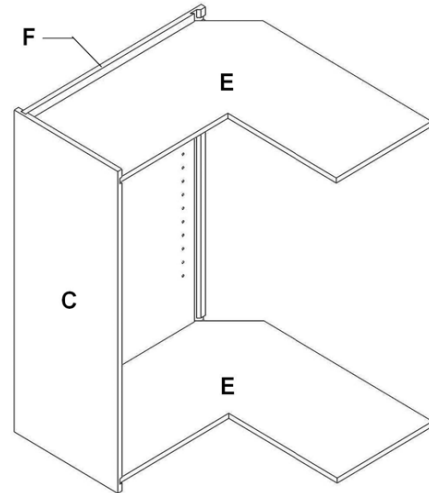
SCW Cabinet Assembly Instructions

DIAGRAM 1



1. Lay the cabinet's left front side panel (C) down on a clean, soft surface.
2. Install the hinge spacers (L & M) into the front side panel (C) with 12mm length screws. Please refer to the illustration for the appropriate spacer locations.

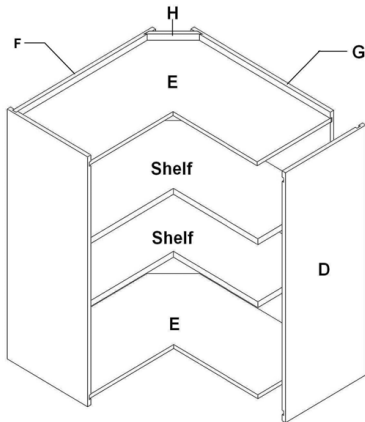
DIAGRAM 2



1. Apply a thin line of glue into the dadoed sections of the left front side panel (C) where the left back side panel (F) will be installed.
2. Place the left back side panel (F) firmly into the appropriate dadoes, while keeping it tightly compressed at a 90-degree angle. Secure with pin nails.
3. Apply a thin line of glue into the dadoes of the left front side panel (C) and left back side panel (F) where the top and bottom panels (E) will attach. Install the top and bottom panels (E) and secure with pin nails.
4. Place corner blocks on the common interior corners connecting the left front and left back side panels (C & F). Locate the corner blocks just above the intersecting dadoes for the two side panels (C & F). Place two staples into the corner blocks (attaching it to the left front side panel) and then two staples to the left back side panel.

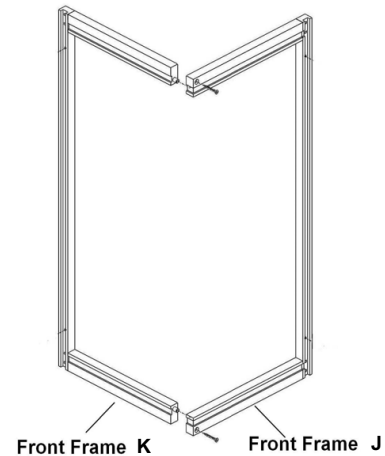
SCW Cabinet Assembly Instructions

DIAGRAM 3



1. Apply a thin line of glue into the dado on the left back side panel (F) where the back panel (H) will be attached. Install the back panel (H) securely into the dado.
2. Apply a thin line of glue into the dados on the right back side panel (G) where it will attach to the back panel (H) and the top and bottom panels (E). Install the right back side panel (G) and secure with pin nails.
3. Locate the shelf holders from the hardware package and plug them into the back side panels (F & G). Ensure that for each floor install, the shelf holders are installed at the same height.
4. Apply a thin line of glue into the dados on the right front side panel (D) where it will attach to the right back side panel (G) and the top and bottom panels (E). Install the right front side panel (D) and secure with pin nails. Keep the right front side panel (D) fixed at a 90-degree angle with the right back side panel (G).
5. Place corner blocks on the common interior corners connecting the right front and right back side panels (D & G). Locate the corner blocks just above the intersecting dados for the two side panels (D & G). Place two staples into the corner blocks (attaching it to the right front side panel) and then two staples to the right back side panel.

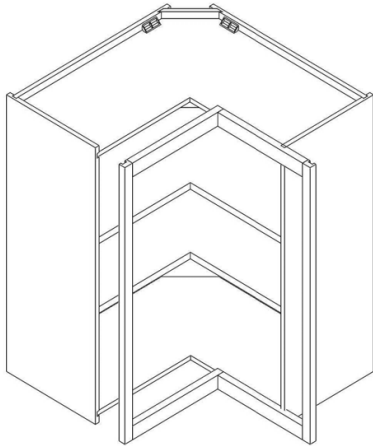
DIAGRAM 4



1. Attach Front Frame J and Front Frame K together, as illustrated, using 1" screws
2. Lay down the assembled front frame on a clean, soft surface. Apply a thin line of glue into the dados of the front frame.

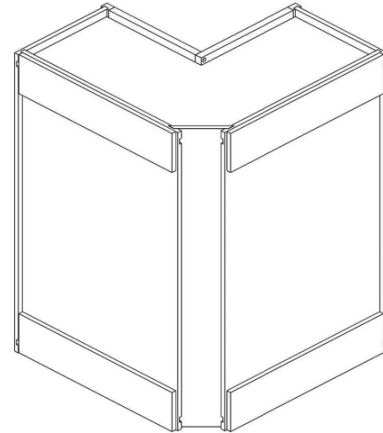
SCW Cabinet Assembly Instructions

DIAGRAM 5



1. Attach the assembled front frame to the assembled cabinet carcass.
2. Place corner blocks on the common interior corners connecting the face frame with the cabinet carcass, as illustrated. Fasten together with corner blocks and staples.

DIAGRAM 6



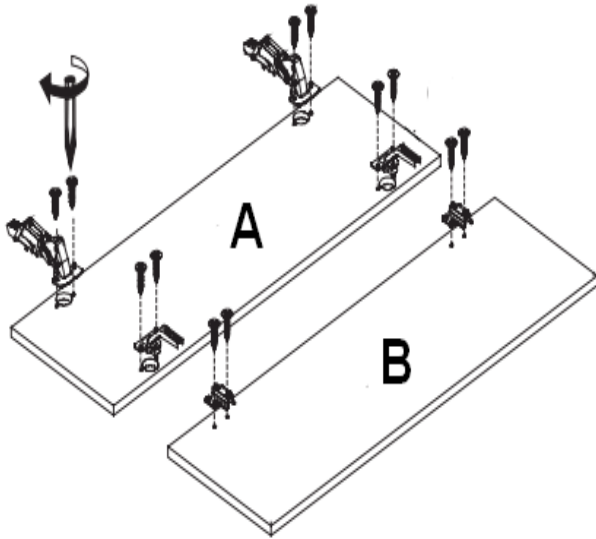
1. Apply a few small beads of glue onto the 4 back supports (I).
2. Place the back supports (I) on the left and right back side panels (F & G), as illustrated. Secure with pin nails.

Note: SCW doors have a 1" (25mm) reveal from the top to the edge of the face frame, a ¼" (6mm) reveal from the bottom to the edge of the face frame, and a ¼" (6mm) reveal from each side.

42" wall cabinets will have three hinge sets.

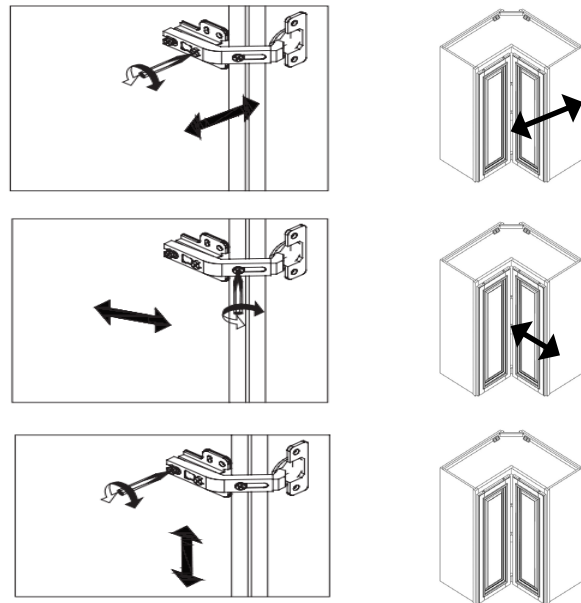
SCW Cabinet Assembly Instructions

DIAGRAM 7



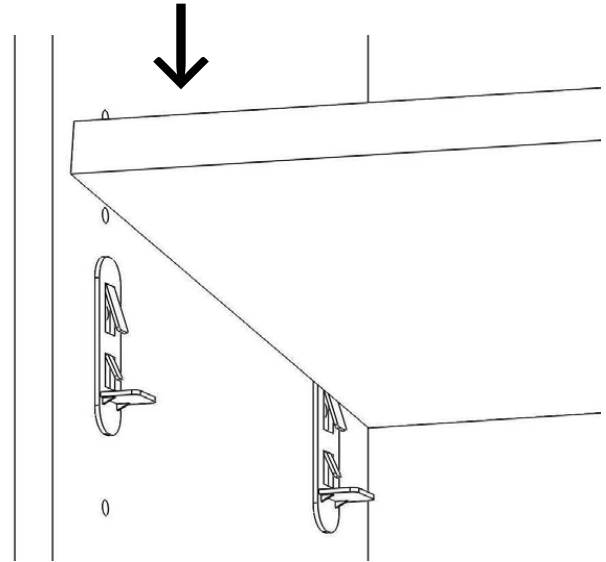
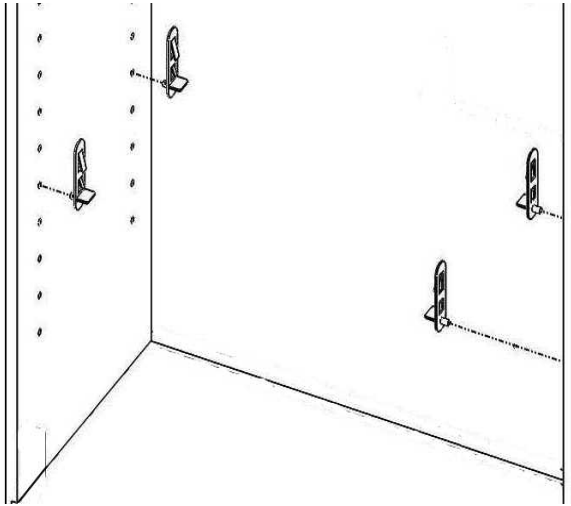
1. Locate the 2 kinds of hinges from the packing box.
2. Lay the doors (A & B) face down on a clean, soft surface. Place the hinges into the holes on the back of the doors as shown in the diagram. Tighten the hinges into place with 5/8" (16mm) screws.

DIAGRAM 8



1. Line up each door with the front frame of the cabinet. Screw the hinges into the hinge spacers using 3/4" (19mm) screws.
2. Adjust the hinges in different directions to give the best fit.

SCW Shelf Assembly Instructions



1. Find the plastic shelf supports located in the hardware package.
2. Plug the shelf supports into the side panels (left and right panels), ensuring all are installed at the same heights so that the shelf will be level when placed in.

Shelf Details for Wall Cabinets:

- Wall cabinets with heights of 12", 15", 18", and 21" have no shelves.
- Wall cabinets with heights of 24" and 27" have 1 shelf.
- Wall cabinets with heights of 30-36" have 2 shelves.
- Wall cabinets 42" high have 3 shelves.
- Wall cabinets that are 12" deep have a shelf that is 10" (254mm) deep.

Shelf Details for Base Cabinets:

- All base cabinets have a half shelf that is 15-3/4" (400mm) deep.
- Vanity cabinets that are 18-21" deep have a half shelf that is 11-3/4" (198.5mm) deep.
- BFH (base full height) cabinets have a 22" (558mm) deep shelf.

Shelf Details for Utility Cabinets (UC):

- UCs have four shelves: 1 in the top and 3 in the bottom.
- The shelves in all UCs are adjustable full shelves.